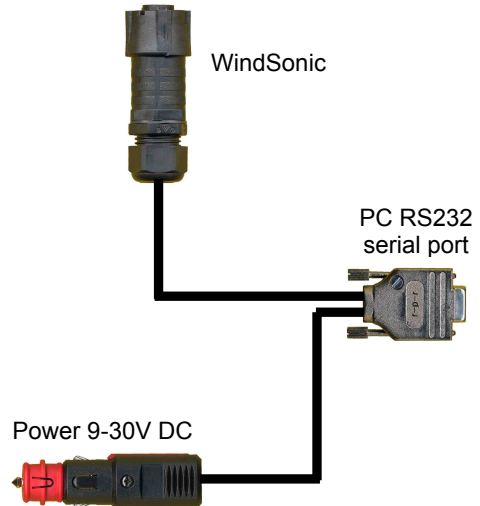


- Enables easy configuration of a WindSonic sensor using RS232
- Connection to PC serial port
- Power supply to WindSonic sensor
- Cable suitable for both WindSonic Option 1 and WindSonic Options 2 and 3
- Cable lengths: 2 m



DESCRIPTION

The WindSonic RS232 cable provides a connection between the WindSonic sensor and the serial port of a PC. The power lead is provided with a plug suitable for car cigarette lighter or accessory socket.

Note that the plug is supplied separately and must be wired to suit the version of WindSonic sensor to be configured. This is due to the supply voltage connections for WindSonic Options 2 and 3 being reversed compared to the Option 1 unit. (* see note below). Damage will not occur from a reverse voltage connection.

CONFIGURING A WINDSONIC SENSOR

WindSonic Option 1: Connect to a PC either directly to an RS232 serial port, or via a serial to USB converter. The WindSonic may be configured using a terminal emulation package such as HyperTerminal set to a baud rate of 9600.

WindSonic Option 2 or 3: Connect to a PC RS232 serial port, or via a serial to USB converter, as per Option 1 but with the baud rate set to 19200. To communicate using RS232 (rather than the default RS422) the unit must be in Safe Mode. To enable Safe Mode apply power to the WindSonic and immediately hold down the * character (shift 8). After approximately 3 seconds the unit will respond with Safe Mode.

For more details on configuration, please refer to the Gill instruments WindSonic User Manual.

CABLE CONNECTIONS

| WindSonic | | RS232 | | Power (9-30V DC) | |
|-------------------|---------------------|-------------------|---------------------|--------------------|-------------------------------|
| 9 way FCI Clipper | | 9 way D type | | DIN ISO 4165 | |
| Pin Number | Cable colour | Pin Number | Cable colour | WINDSONIC 1 | WINDSONIC 2 & 3(*) |
| 1 | Brown | 5 | | Connector | Connector |
| 2 | Black | | Black | Outside – | Centre + |
| 3 | Red | | Black/white | Centre + | Outside – |
| 5 | White | 2 | | | |
| 7 | Green | 3 | | | |
| | Screen/drain | Case shell | | | |

* For old WindSonic Option 2 & 3 sensors, pre serial number 08100001, set up as per WindSonic Option 1



WindSonic Connector
Pin locations as seen from the back of the connector

Richard Paul Russell Ltd
 New Harbour Building, Bath Road, Lymington
 SO41 3SE, UK
 Tel +44 (0) 1590 679755 Fax +44 (0) 1590 688577
 e-mail: sales@r-p-r.co.uk www.r-p-r.co.uk