

## MEASURE

- Wind Speed & Direction
- Temperature
- Humidity
- Barometric Pressure
- Dew Point

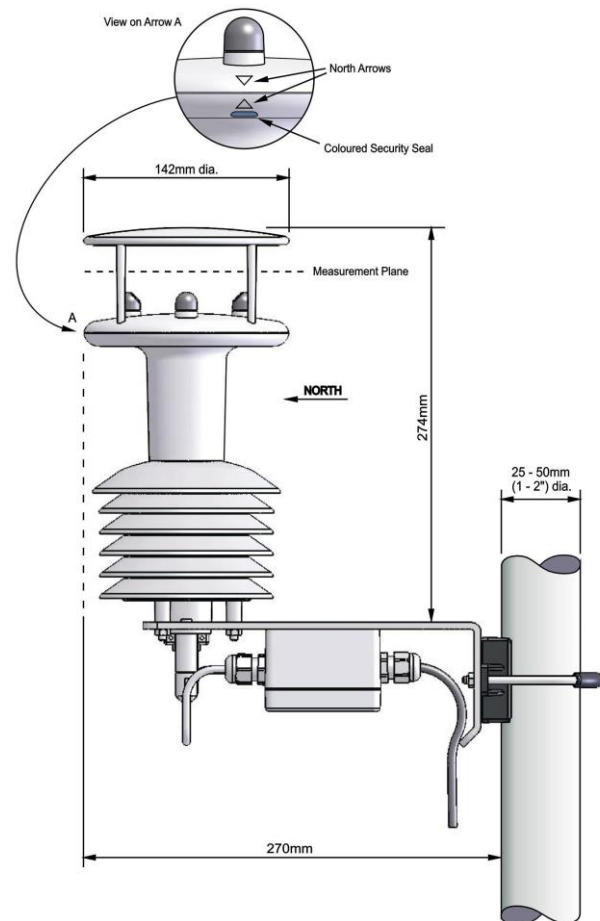
## DESCRIPTION

The MetPak is a compact and lightweight multi-sensor instrument that measures a wide range of weather parameters.

Ultrasonic technology, as used in the proven WindSonic instrument, measures wind speed and direction. Temperature and humidity are measured using industry standard probes housed in a naturally aspirated radiation shield. Barometric pressure is measured within a vented enclosure.

The serial data output is ideal for interfacing with a **WS-15A Display Unit** or for data logging to a **SpaceLogger® WindLogger**.

The MetPak™ weather station can be supplied with digital SDI-12, RS232 & 422 outputs. Low power consumption enables this weather station instrument to be used in remote locations where power is at a premium. An electrical junction box is fitted to the mounting bracket allowing convenient termination of all electrical cables.



## TYPICAL APPLICATIONS

- Environmental Monitoring
- Industrial Controls
- Road Weather Stations
- Coastal Weather Stations

The MetPak weather station is provided with Gill MetView software, which allows for complete weather monitoring via one easy-to-navigate screen when PC hook-up is available.

## SPECIFICATION

<b>Wind Measurement</b>	Sensor	WindSonic ultrasonic
	Parameters	Polar Wind Speed & Direction or U & V Vectors
<b>Wind Speed</b>	Range	0-60m/s (134 mph)
	Accuracy	± 2% @12m/s
	Resolution	0.01 m/s (0.02 mph)
	Threshold	0.01 m/s (0.02 mph)
	Units of measure	m/s, knots, mph, kph, ft/min
	Range	0 to 359 degrees – no dead band
<b>Wind Direction</b>	Accuracy	± 3° @12m/s
	Resolution	1°
	Sensor	Rotronic HygroClip model HC2-S3
<b>Air Temperature</b>	Sensor type	Pt100 1/3 Class B
	Range	-35°C to +70°C
	Accuracy	± 0.1°C
	Resolution	0.1°C (0.1°F)
	Units of measure	°C, °F or K
	<b>Relative Humidity</b>	Sensor
Range		0-100% RH
Accuracy		± 0.8% @23°C
Resolution		0.1% RH
Units of measure		% RH
<b>Barometric Pressure</b>	Sensor	Solid state device. Compensated for temperature dependency -20°C to +70°C
	Range	600-1100hPa
	Accuracy	±0.5hPa
	Resolution	0.1hPa
	Units of measure	hPa, mbar, mmHg, InHg
<b>Dew Point</b>	Sensor	Rotronic HygroClip model HC2-S3
	Accuracy	± 0.15°C @ 23°C ambient temp, 20°C dew point
	Resolution	0.1°C (0.1°F)
	Units of measure	°C, °F or K
<b>Outputs</b>	Digital outputs	RS232, RS422 or SDI-12
	Baud rates	1200 (SDI-12) – 9600-57600 (ASCII RS232, RS422)
	Protocols	ASCII or SDI-12 V1.3
	Data output	0.25, 0.5, 1 Hz or polled mode
	MetPak II status	Status codes provided within the data message string
<b>Mechanical</b>	External construction	UV stabilised white thermoplastic
	Mounting	Pole Mounting: Gloss white painted aluminium mounting bracket (with moulded plastic V-block and stainless steel U-bolt), which allows it to be attached to a vertical pipe of any diameter between 25mm and 50mm
	Weight	1.1kg (including bracket)
	Radiation shield	6-plate, naturally aspirated
	Supply voltage	5V to 30 V dc
<b>Power Supply</b>	Current	<50mA
	Protection class	IP65
<b>Environmental</b>	Operating temperature	-35°C to +70 °C
	Storage temperature	-40°C to +80 °C
	Operating humidity	0% to 100% humidity
<b>Miscellaneous</b>	Calibration	Factory calibrated
	Software	MetView - free software providing the means for configuring the MetPak II and reading output data

The manufacturer reserves the right to amend the specification and therefore the information in this document may be subject to change. Please check our website [www.r-p-r.co.uk](http://www.r-p-r.co.uk) for details

MetPak™ is a trademark of Gill Instruments Ltd. SpaceLogger® is a registered trademark of Richard Paul Russell Ltd

Richard Paul Russell Ltd  
 The Lodge, Unit 1 Barnes Farm Business Park, Barnes Lane, Milford on Sea, SO41 0AP, UK  
 Tel +44 (0) 1590 679755 Fax +44 (0) 1590 688577  
 e-mail: [sales@r-p-r.co.uk](mailto:sales@r-p-r.co.uk) [www.r-p-r.co.uk](http://www.r-p-r.co.uk)