

Making it easier to connect your wind system

- Enables easy connection of a wind sensor to your desktop PC, whilst still maintaining connections to other system components such as the WS-15A Display Unit and SpaceLogger.W10 data logger.
- Provides a single fused power source for all components.
- Suitable for RS232 and RS422/485 data transmission.
- Can be used with WindSonic, WindObserver Sensors and other NMEA0183 formatted outputs.
- Can also be used with Xstream-PKG Radio Modems.

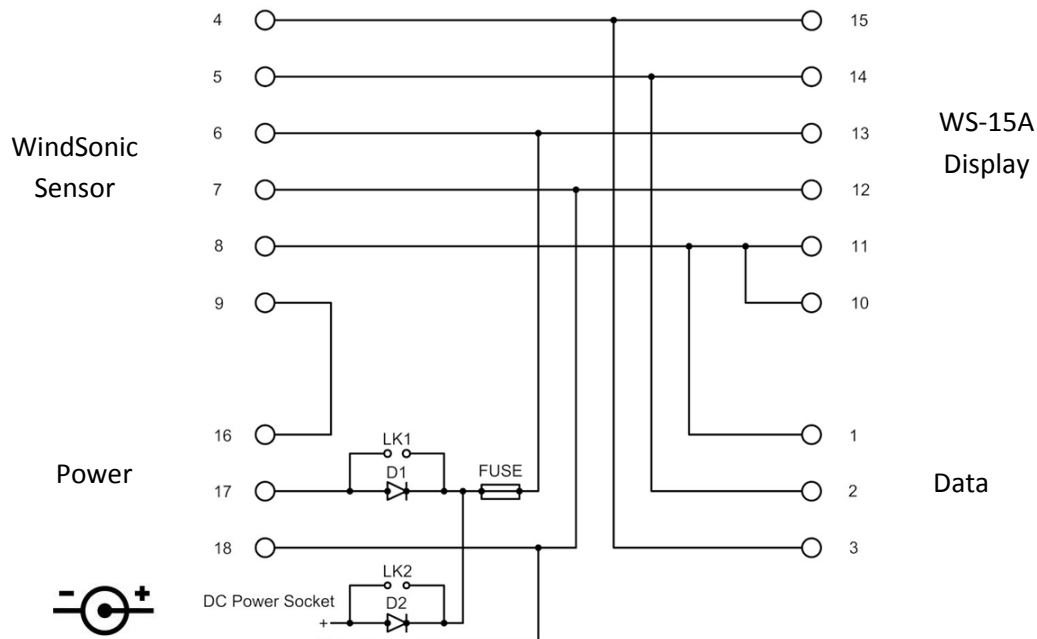


The junction box supplied by Richard Paul Russell Ltd can be used with many different systems and provides an easy interfacing point for connecting a PC in to a wind system without the need to remove other components.

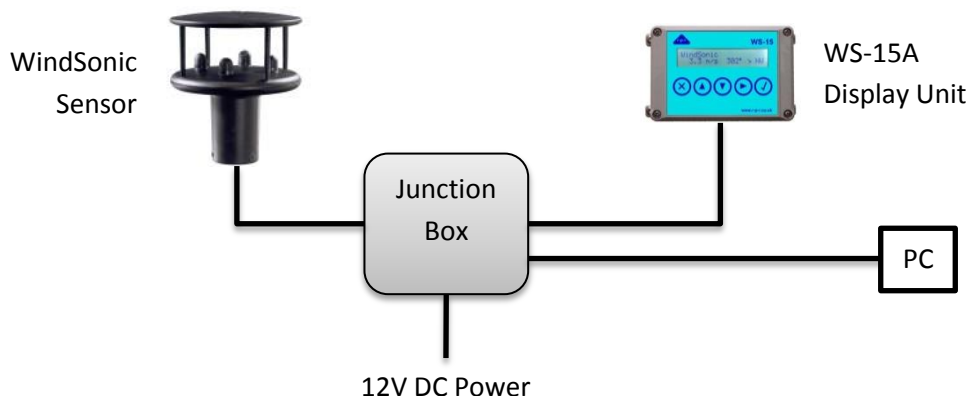
It also provides a single fused power source for all components attached to the system.

The box has self-sealing, soft inlet membranes (M20) suitable for cables 2-16mm diameter.

CIRCUIT DIAGRAM WITH TERMINAL NUMBERS



TYPICAL WIND SYSTEM



CONNECTION OPTIONS

Connections depend on use of RS232 or RS422 data transmission.

	Junction Box Terminal	WindSonic Option 1 (RS232)		WindSonic Option 2/3 (RS422)	
		Signal	PC D-type Pin	Signal	
Data	1	GND	5	-	
	2	RxD	2	TxD-	
	3	TxD	3	TxD+	
			WindSonic Pin		WindSonic Pin
WindSonic	4	RxD	7	TxD+	4
	5	TxD	5	TxD-	5
	6	+V	3	+V	2
	7	-V	2	-V	3
	8	GND	1	GND	N/C
	9	Screen	N/C	Screen	N/C
			WS-15A Terminal		WS-15A Terminal
Display	10	-	N/C	-	N/C
	11	GND	9	-	N/C
	12	-V	2	-V	2
	13	+V	3	+V	3
	14	RxD	10	RS485A	11
	15	TxD	N/C	RS485B	12
Power	16	Screen		Screen	
	17	+V		+V	
	18	-V		-V	

SPECIFICATION

Physical	Mounting	Surface mounted via external lugs
	Dimensions	80x80x52mm
	Material	Polystyrene plastic enclosure
	Weight	140 g
Environmental	Sealing	IP65 rated

The manufacturer reserves the right to amend the specification and therefore the information in this document may be subject to change. Please check our website www.r-p-r.co.uk for details

Richard Paul Russell Ltd

The Lodge, Unit 1 Barnes Farm Business Park, Barnes Lane, Milford on Sea SO41 0AP, UK
tel +44 (0) 1590 679755 fax +44 (0) 1590 688577 e-mail: sales@r-p-r.co.uk web: www.r-p-r.co.uk