

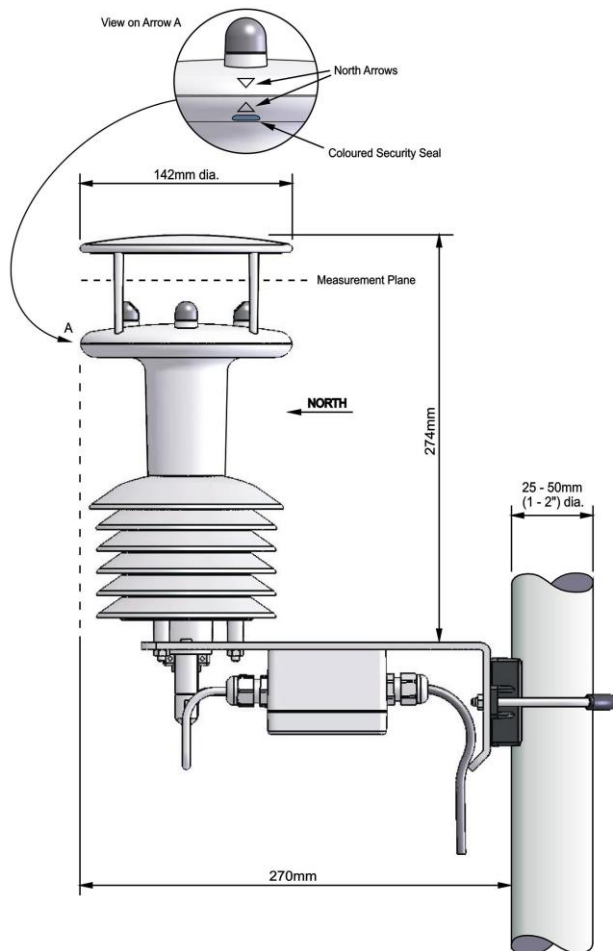
MEASURE

- Wind Speed & Direction
- Temperature
- Humidity
- Barometric Pressure
- Dew Point
- Precipitation
- SDI -12 Output
- Gill ASCII Output

DESCRIPTION

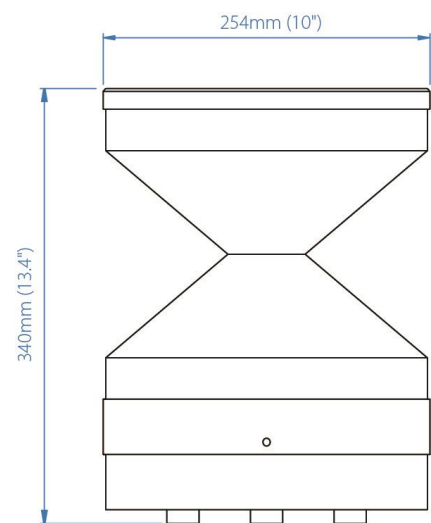
MetPak RG is supplied complete with a tipping bucket rain gauge adding to those parameters provided by MetPak at a very attractive price, while maintaining the reference quality measurement concept. The rain gauge is included along with the base plate, 6 metres of cable and is calibrated to the MetPak ensuring excellent accuracy and data quality.

The design of the MetPak RG allows all measurements to be as accurate as possible without influencing other measured parameters yet provides a complete, compact, reference quality system. The unit is especially suitable for harsh, coastal and fixed marine platforms where accuracy of the precipitation measurements is paramount.



TYPICAL APPLICATIONS

- Environmental Monitoring
- Industrial Controls
- Road Weather Stations
- Coastal Weather Stations



The MetPak RG weather station is provided with Gill MetView software, which allows for complete weather monitoring via one easy-to-navigate screen when PC hook-up is available.

SPECIFICATION

Wind Measurement	Sensor	WindSonic ultrasonic
	Parameters	Polar Wind Speed & Direction or U & V Vectors
Wind Speed	Range	0-60m/s (134 mph)
	Accuracy	± 2% @12m/s
	Resolution	0.01 m/s (0.02 mph)
	Threshold	0.01 m/s (0.02 mph)
	Units of measure	m/s, knots, mph, kph, ft/min
Wind Direction	Range	0 to 359 degrees – no dead band
	Accuracy	± 3° @12m/s
	Resolution	1°
Air Temperature	Sensor	Rotronic HygroClip model HC2-S3
	Sensor type	Pt100 1/3 Class B
	Range	-35°C to +70°C
	Accuracy	± 0.1°C
	Resolution	0.1°C (0.1°F)
Relative Humidity	Units of measure	°C, °F or K
	Sensor	Rotronic HygroClip model HC2-S3. Compensated for temperature dependency
	Range	0-100% RH
	Accuracy	± 0.8% @23°C
	Resolution	0.1% RH
Barometric Pressure	Units of measure	% RH
	Sensor	Solid state device. Compensated for temperature dependency -20°C to +70°C
	Range	600-1100hPa
	Accuracy	±0.5hPa
	Resolution	0.1hPa
Precipitation	Units of measure	hPa, mbar, mmHg, InHg
	Measurement Concept	Aerodynamic tipping bucket rain gauge
	Range	Effectively unlimited
	Resolution	0.2mm
	Units of Measure	mm per tip
Dew Point	Accuracy	±2%
	Sensor	Rotronic HygroClip model HC2-S3
	Accuracy	± 0.15°C @ 23°C ambient temp, 20°C dew point
	Resolution	0.1°C (0.1°F)
Outputs	Units of measure	°C, °F or K
	Digital outputs	RS232, RS422 or SDI-12
	Baud rates	1200 (SDI-12) – 4800-57600 (ASCII RS232, RS422)
	Protocols	ASCII or SDI-12 V1.3
Mechanical	Data output	1Hz, 2Hz, 4Hz or polled mode
	External construction	UV stabilised white thermoplastic
	Mounting	Pole Mounting: Gloss white painted aluminium mounting bracket (with moulded plastic V-block and stainless steel U-bolt), which allows it to be attached to a vertical pipe of any diameter between 25mm and 50mm
	Weight	2.1kg (including bracket)
	Radiation shield	6-plate, naturally aspirated
Power Supply	Supply voltage	5V to 30 V dc
	Current	<16mA (Output 1 second) @ 12 V
Power Supply SDI-12	Supply voltage	12V nominal (9.6 – 16V)
	Current	< 6.5MA low power operation
Environmental	Protection class	IP65
	Operating temperature	-35°C to +70 °C
	Storage temperature	-40°C to +80 °C
	Operating humidity	0% to 100% humidity
Miscellaneous	Calibration	Factory calibrated
	Software	MetView - free software providing the means for configuring the MetPak II and reading output data

The manufacturer reserves the right to amend the specification and therefore the information in this document may be subject to change.

Please check our website www.r-p-r.co.uk for details

MetPak II™ is a trademark of Gill Instruments Ltd. SpaceLogger® is a registered trademark of Richard Paul Russell Ltd

Richard Paul Russell Ltd
 The Lodge, Unit 1 Barnes Farm Business Park, Barnes Lane, Milford on Sea, SO41 0AP, UK
 Tel +44 (0) 1590 679755 Fax +44 (0) 1590 688577
 e-mail: sales@r-p-r.co.uk www.r-p-r.co.uk