

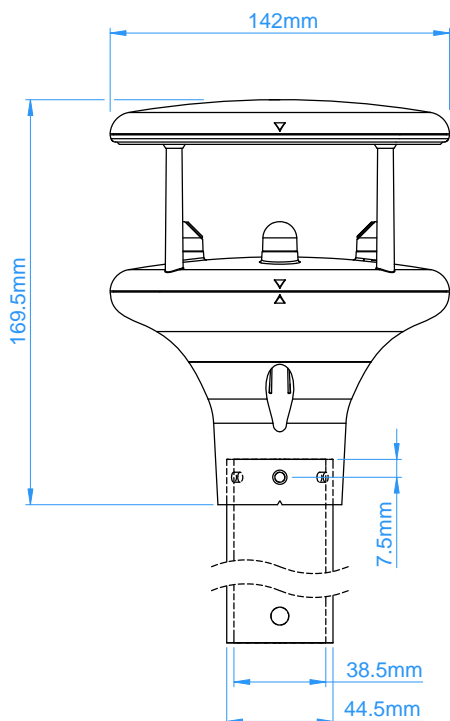
The MaxiMet range of compact weather stations is designed and manufactured by Gill Instruments. MaxiMet products use reliable, high quality instruments to provide accurate meteorological information in a wide variety of applications.

GMX200 Features

Wind. Wind speed and direction measurements are provided via an ultrasonic sensor and the addition of an electronic compass provides apparent wind measurements. Average speed and direction together with WMO averages and gust data is also provided. Add GPS (optional) to provide true wind and other features.



WIND	GPS (OPTION)	PARAMETERS
<ul style="list-style-type: none"> ③ Wind speed & direction ③ Apparent and true wind (with GPS) ③ WMO wind averages and gust ③ GPS (optional) gives height above sea level, latitude and longitude 	<ul style="list-style-type: none"> ③ Height above sea level ③ Sunrise/sunset ③ Position of the sun ③ Twilight ③ MSL pressure 	<ul style="list-style-type: none"> ③ Wind speed m/s, km/hr, mph, kts, ft/min ③ Wind direction° ③ True/apparent wind ③ Outputs RS232, 422, 485 (ASCII), SDI-12, NMEA, MODBUS, Analogue (option)



All MaxiMet Models Feature

- Quality Measurements
- Lightweight and Robust
- Low Power Mode
- Compact Integrated Design
- 2 Year Warranty
- Real Time Output
- Easy Installation

Applications

Building and Industrial Controls
Authorities
Transport

Coastal
Agricultural
Safety

Educational
Commercial
Energy

WIND SPEED	
Range	0.1 m/s to 60 m/s
Accuracy	± 3% to 40 m/s, ± 5% to 60 m/s
Resolution m/s	0.01
Starting Speed	0.1 m/s
Sampling Rate	1 Hz
Units	m/s, km/hr, mph, kts, ft/min

WIND DIRECTION	
Range	0-359°
Accuracy	± 3° to 40 m/s ± 5° to 60 m/s
Resolution	1°
Sampling Rate	1 Hz
Units	Degrees

OUTPUTS	
Output rate	1/s, 1/min, 1/hr
Digital Comms Modes	Serial RS232, RS422, RS485, SDI-12, NMEA, MODBUS, ASCII
Analogue Outputs	Available via separate optional device

POWER	
Power Supply	5 to 30 Vdc
Power (Nominal) 12 Vdc	25 mA continuous high mode. 0.05 mA eco-power mode (1 hour polled)

ENVIRONMENTAL CONDITIONS	
IP Rating	66
Operational Temperature Range:	-40°C to +70°C
EMC Standard:	BS EN 61326 : 2013 FCC CFR47 parts 15.109
CE Marking	YES
RoHS compliant	YES
Weight	0.5 Kg
Origin	UK

Specifications may be subject to change without prior notice



RICHARD PAUL RUSSELL LTD
The Lodge | Unit 1 Barnes Farm Business Park
Barnes Lane | Milford on Sea | SO41 0AP | UK
+44 (0) 1590 641223 WWW.R-P-R.CO.UK