

The MaxiMet range of compact weather stations is designed and manufactured by Gill Instruments. MaxiMet products use reliable, high quality instruments to provide accurate meteorological information in a wide variety of applications.

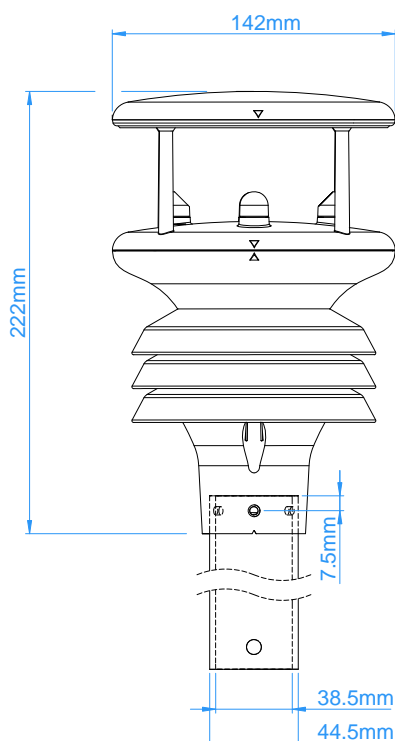
## GMX500 Features

**Temperature, humidity, pressure** A combined instrument mounted inside three double louvered, naturally aspirated radiation shields with no moving parts. The results are high performance across each measurement over long periods of time.

**Wind.** Wind speed and direction measurements are provided via an ultrasonic sensor and the addition of an electronic compass provides apparent wind measurements. Average speed and direction together with WMO averages and gust data is also provided. Add GPS (optional) to provide true wind and other features.



TEMP, HUMIDITY & PRESSURE WIND		GPS (OPTION)	PARAMETERS
<ul style="list-style-type: none"> <li>③ Air Pressure Temperature</li> <li>③ Relative / Absolute humidity</li> <li>③ Naturally aspirated UV stable radiation shield</li> <li>③ Protection against wind-blown precipitation/dust</li> </ul>	<ul style="list-style-type: none"> <li>③ Wind speed &amp; direction</li> <li>③ Apparent and true wind (with GPS)</li> <li>③ WMO wind averages and gust</li> <li>③ Compass</li> <li>③ GPS (optional) gives height above sea level, latitude and longitude</li> </ul>	<ul style="list-style-type: none"> <li>③ Height above sea level</li> <li>③ Sunrise/sunset</li> <li>③ Position of the sun</li> <li>③ Twilight</li> <li>③ MSL pressure</li> </ul>	<ul style="list-style-type: none"> <li>③ Temperature °C / °F / °K</li> <li>③ Relative humidity % Rh, g/g, g/kg</li> <li>③ Barometric pressure hPa, bar, mm Hg</li> <li>③ Wet bulb temperature °C / °F / °K</li> <li>③ Absolute humidity g/m<sup>3</sup></li> <li>③ Air density kg/m<sup>3</sup></li> <li>③ Wind speed m/s, km/hr, mph, kts, ft/min</li> <li>③ Wind direction°</li> <li>③ Wind chill °C / °F / °K</li> <li>③ True/apparent wind</li> <li>③ Outputs RS232, 422, 485 (ASCII), SDI-12, NMEA, MODBUS, Analogue (option)</li> </ul>



### All MaxiMet Models Feature

- Quality Measurements
- Real Time Output
- Lightweight and Robust
- Easy Installation
- Low Power Mode
- Compact Integrated Design
- 2 Year Warranty

## Applications

Building and Industrial Controls  
 Authorities  
 Transport

Coastal  
 Agricultural  
 Safety

Educational  
 Commercial  
 Energy

WIND SPEED	
Range	0.1 m/s to 60 m/s
Accuracy	± 3% to 40 m/s, ± 5% to 60 m/s
Resolution m/s	0.01
Starting Speed	0.1 m/s
Sampling Rate	1 Hz
Units	m/s, km/hr, mph, kts, ft/min

WIND DIRECTION	
Range	0-359°
Accuracy	± 3° to 40 m/s ± 5° to 60 m/s
Resolution	1°
Sampling Rate	1 Hz
Units	Degrees

TEMPERATURE	
Range	-40°C to +70°C
Resolution	0.1
Accuracy	± 0.3°C @ 20°C
Sampling Rate	1 Hz
Units	°C, °F, °K

HUMIDITY	
Range	0-100%
Resolution	1%
Accuracy	± 2% @ 20 (10%-90% RH)
Sampling Rate	1 Hz
Units	% Rh, g/m3, g/Kg

DEW POINT	
Range	-40°C to +70°C
Resolution	0.1
Accuracy	± 0.3°C @ 20°C
Units	°C, °F, °K
Sampling Rate	1 Hz

PRESSURE	
Range	300 to 1100
Resolution	0.1 hPa
Accuracy	± 0.5 hPa @ 25°C
Sampling Rate	1 Hz
Units	hPa, bar, mmHg, inHg

OUTPUTS	
Output rate	1/s, 1/min, 1/hr
Digital Comms Modes	Serial RS232, RS422, RS485, SDI-12, NMEA, MODBUS, ASCII
Analogue Outputs	Available via separate optional device

POWER	
Power Supply	5 to 30 Vdc
Power (Nominal) 12 Vdc	25 mA continuous high mode. 0.05 mA eco-power mode (1 hour polled)

ENVIRONMENTAL CONDITIONS	
IP Rating	66
Operational Temperature Range:	-40°C to +70°C
EMC Standard:	BS EN 61326 : 2013 FCC CFR47 parts 15.109
CE Marking	YES
RoHS compliant	YES
Weight	0.6 Kg
Origin	UK

Specifications may be subject to change without prior notice



**RICHARD PAUL RUSSELL LTD**  
 The Lodge | Unit 1 Barnes Farm Business Park  
 Barnes Lane | Milford on Sea | SO41 0AP | UK  
 +44 (0) 1590 641223      [WWW.R-P-R.CO.UK](http://WWW.R-P-R.CO.UK)